

# CP-UNC-DA21PL3

2MP Full HD IR Network Dome Camera - 30Mtr.

- 1/2.8" 2MP PS CMOS Image Sensor (0.9071 centimeters)
- Max. 2MP (1920 × 1080) @25/30 fps
- Instastream and Smart H.264+ dual-stream encoding
- DWDR, Day/Night (ICR), 3D-DNR, ROI, AWB, AGC, BLC, HLC
- 3.6mm fixed lens (2.8mm Optional)
- IR Range of 30 Mtrs, IP67, PoE
- Mobile Software: iCMOB, gCMOB
- CMS Software: KVMS Pro



## System Overview

With features of simple installation, easy operation, and high performance-cost ratio, This Series camera is applicable to small and medium-sized scenes, such as homes/residences, small-sized retail stores, and other small and medium-sized enterprises.

## Functions

### Power over Ethernet

This product uses the latest PoE technology to troubleshoot the occurrence of any issues in the system making it easier to use. With the help of this technology, your camera now only consumes energy directly from the power supply and doesn't require any mid-way switches.



## CP-UNC-DA21PL3

2MP Full HD IR Network Dome Camera - 30Mtr.

### Functions

#### H.265+

H.265 is the latest innovation among the standard video compression designs. This technology is beneficial for minimizing storage costs and provides big savings on resolution and the rate of frame in the video through the use of Intelligent Region Perception to detect motion in each frame.

#### Live Viewing

Unlike some, this technology enables you to record the picture feed but view it live as well at your convenience. On top of that, the advantages of high-resolution video recording are numerous.

#### Regions of interest

Regions of Interest (ROI) is a user defined feature that allows the operator to monitor specific areas of a scene while still maintaining overall situational awareness of less important areas.

#### True Day/Night (ICR)

When the scene is too dark, the image is captured by illuminating an infrared light through the camera onto the scene that greatly helps with making the scene visible for the lens. It delivers color images during the day and automatically switches to the monochrome feature as the scene darkens.

#### gCMOB/ iCMOB

Designed to allow users to access and control live streaming from CP PLUS IP Cameras, DVRs/ NVRs and Video Door Phones, the CP PLUS gCMOB/ iCMOB application offers a host of features such as Easy GUI, up to 16 live viewing split-ups; InstaOn cloud support; Playback; digital zoom ins; two-way talk, and more.

#### KVMS Pro

The KVMS Pro is a hybrid security management software that allows the management of various surveillance devices such as cameras, DVRs/ NVRs, encoders/ decoders, etc. It is released with the surveillance hardware and exclusively supports CP PLUS devices.

### About CP PLUS

The brand that is on its way to lead the world when it comes to the security and surveillance industry, CP PLUS, keeps bombarding the market with the most reliable range of products that have been designed carefully and methodically to automate the whole surveillance and security process, no matter how big your premises are.

It was the initiative to help the public in the area where they are the most vulnerable and to empower the sense of safety in our hearts that had conceptualized CP PLUS. And embarking on its mission to make the world a safer and more secure place has taken the brand's journey to unprecedented levels even when compared to international competitors.



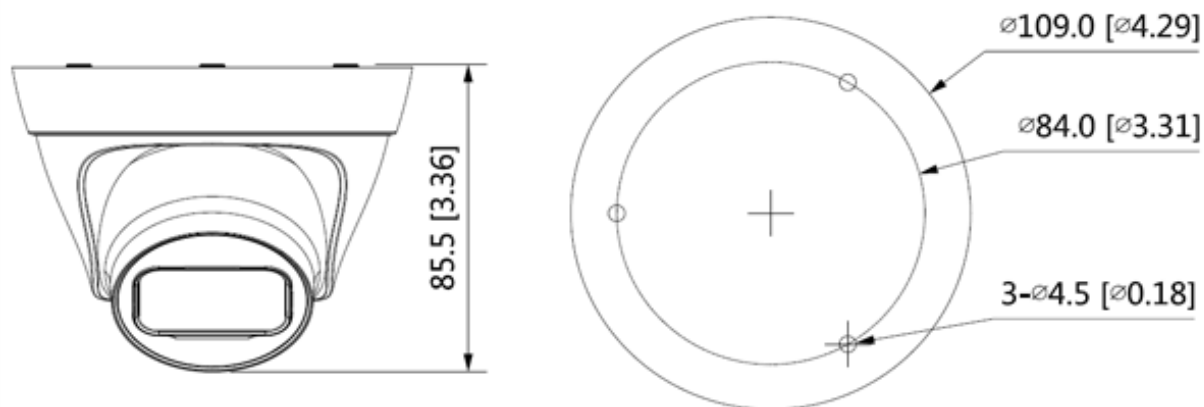
# CP-UNC-DA21PL3

2MP Full HD IR Network Dome Camera - 30Mtr.

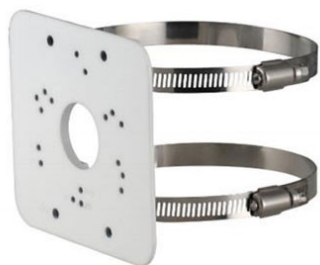
Feature	Specification
Image Sensor	1/2.8" 2MP Progressive scan CMOS (0.9071 centimeters)
Minimum Illumination	0.01 Lux @F2.0
Effective Pixels	1920(H) x 1080(V)
Shutter Speed	Auto/Manual, 1/3~1/100000s
White Balance	Auto/natural/street lamp/outdoor/manual/regional custom
Lens	3.6mm (2.8mm Optional)
Lens Type	Fixed
Mount Type	M12
Max. Aperture	F2.0
Iris Type	Fixed aperture
Close Focus Distance	2.8mm- 0.5m ; 3.6mm- 0.8m
DORI Distance	3.6mm– 49.7m (Detect) 19.9m (Observe) 9.9m (Recognize) 5m (Identify) 2.8mm– 38.6m (Detect) 15.4m (Observe) 7.7m (Recognize) 3.9m (Identify)
Gain Control (AGC)	Auto/Manual
Video Compression	Instastream/ H.265/Smart H.264+/H.264/ H.264B/ MJPEG (only supported by the sub stream)
Angle of View	3.6 mm: Horizontal: 84°; Vertical: 45°; Diagonal: 100° 2.8 mm: Horizontal: 102°; Vertical: 54°; Diagonal: 120°
Back Light Compensation	BLC / HLC / DWDR
S/N Ratio	>56dB
Video Streaming	Main Stream: 1920 × 1080 (1 fps–25/30 fps) Sub stream: 704 × 576 (1 fps–25 fps) 704 × 480 (1 fps–30 fps)
Resolution	1080P (1920 × 1080); 1.3M(1280 × 960);720p (1280 × 720); D1 (704 × 576/704 × 480); VGA (640 × 480); CIF (352 × 288/352 × 240)
Mirror	Yes
Motion detection	Off / On (4 area, Rectangle)

Feature	Specification
Privacy Mask	4 Area
ICR	Auto (ICR)/Color/B/W
ROI	Yes (4 areas)
Noise Reduction	3D-DNR
Video Bit Rate	H.265: 12 Kbps–6144 Kbps H.264: 32 Kbps–6144 Kbps
Bit Rate	CBR/VBR
Protocol	IPv4; IPv6; HTTP; TCP; UDP; ARP; RTP; RTSP; SMTP; FTP; DHCP; DNS; NTP; Multicast; ONVIF (Profile S/Profile T); CGI; InstaOn; Genetec
SDK & API	Yes
Ethernet	RJ-45 (10/100Base-T)
Event Trigger	Network disconnection; IP conflict; illegal access; motion detection; video tampering; safety exception
Cyber Security	Video encryption; configuration encryption; Digest; WSSE; account lockout; security logs; generation and importing of X.509 certification; HTTPS; trusted boot; trusted execution; trusted upgrade
Image Rotation	0°/90°/180°/270° (Support 90°/270° with 1080p resolution and lower)
User/ Host	6 Users (Total bandwidth: 36 M)
Smart Phone	iPhone, iPad, Android Phone
IR	IR Range of 30 Mtr., Smart IR
No of IR LEDs	1 (IR LEDs)
Browser	IE, Chrome, Firefox
Edge Storage	FTP
Operating Temperature	-40°C~+60°C , Less than 95%RH
Power Source	DC12V,PoE (802.3af)
Power Consumption	1.4W (12V DC); 2.2W (PoE)
Weatherproof Standard	IP67
Casing	Metal + Plastic
Dimension	85.5 mm × Φ109 mm (3.4" × Φ4.3")
Weight	0.24kg

Dimensions (mm/inch)



Accessories : Optional



CP-UA-B2P  
Pole Mount



CP-UA-B06DW  
Wall Mount