

CP-USC-TA24L2

2.4MP Full HD IR Cosmic Bullet Camera - 20Mtr.

- 1/2.7" 2.4MP PS CMOS Image Sensor
- Max 25/30fps@2.4MP
- DWDR, Day/Night (ICR), 2D-DNR, AWB, AGC, BLC, HLC
- 3.6mm fixed lens (2.8mm, 6mm optional)
- IR Range of 20 Mtrs., IP67
- OSD Menu, control over coaxial cable, 2D-DNR
- HD, SD, and Two Others Analog formats output switchable



System Overview

Analog cameras can be advantageous in more ways than one – they are economical, especially for large scale setups, and are simple to install. However, one of the major downsides of earlier analog cameras was the image quality, which is critical in the present times. With subsequent technological upgrades over the years, HD resolution was introduced in analog CCTV systems. This served as a major breakthrough as high quality imagery was only available in IP system which was comparatively a costlier option.

Another challenge with analog systems was its compatibility constraint. Newer versions of analog cameras would not pair up with older versions. CP PLUS introduced the revolutionary UNI + technology which supported all analog & HD video formats including CVBS.

Auth. Project Partner :





CP-USC-TA24L2

2.4MP Full HD IR Cosmic Bullet Camera - 20Mtr.

Functions

Power protection OSD Menu support

With a voltage tolerance range of ± 30 , these cameras are suitable even in fluctuating power conditions.

CP PLUS HD analog cameras come with their own menu using which the camera settings can be managed, for instance, the signal type can be changed and other sensor level adjustments be made.

CP PLUS Analog HD cameras are simple to configure and in-

IR LED stall.

Numerous IR LEDs provide detailed images even in very low light conditions. These LEDs adjust the infrared intensity for distinct images in dark environments for up to 20mtrs.

UNI+ technology

CP PLUS Analog HD cameras offer compatibility across all the available technologies - CVBS, TVI, HDCVI, AHD and HDx, making upgrading simple and hassle-free.

About CP PLUS

The brand that is on its way to lead the world when it comes to the security and surveillance industry, CP PLUS, keeps bombarding the market with the most reliable range of products that have been designed carefully and methodically to automate the whole surveillance and security process, no matter how big your premises are.

It was the initiative to help the public in the area where they are the most vulnerable and to empower the sense of safety in our hearts that had conceptualized CP PLUS. And embarking on its mission to make the world a safer and more secure place has taken the brand's journey to unprecedented levels even when compared to international competitors.

Auth. Project Partner :





CP-USC-TA24L2

2.4MP Full HD IR Cosmic Bullet Camera - 20Mtr.

Feature	Specification
Image Sensor	1/2.7" CMOS
Minimum Illumination	0.02Lux/F1.85, 30IRE, 0Lux IR on
Effective Pixels	2.4MP
Shutter Speed	PAL: 1/25~1/100000s NTSC: 1/30~1/100000s
White Balance	Auto / Manual
Gain Control (AGC)	Auto
Lens	3.6mm (2.8mm, 6mm Optional)
Lens Type	Fixed Lens / Fixed Iris
Mount Type	Board-in
Max Aperture	F1.85
Close Focus Distance	500mm (900mm, 2000mm) 19.69" (35.43", 78.74")
DORI Distance	2.8mm: 37m; 3.6mm: 53m; 6mm: 80m(Detect); 2.8mm: 15m; 3.6mm: 21m; 6mm: 32m (Observe); 2.8mm: 8m; 3.6mm: 11m; 6mm: 16m (Recognize); 2.8mm: 4m; 3.6mm: 5m; 6mm: 8m(Identify)
Noise Reduction	2D-DNR
Back Light Compensation	BLC / HLC / DWDR
Angle of View	H: 87.5° (103°, 54.7°)
S/N Ratio	More than 65dB
Video Streaming	25/30fps@2.4MP, 25/30/50/60fps@720P
Video Output	1-channel BNC high definition video output / CVBS video output (Can switch)
ICR	Auto (ICR) / Manual
OSD	Multi-language
IR	IR Range of 20 Mtr.
Operating Temperature	-40°C ~ +60°C (-40°F ~ +140°F) / Less than 95% RH

Auth. Project Partner :

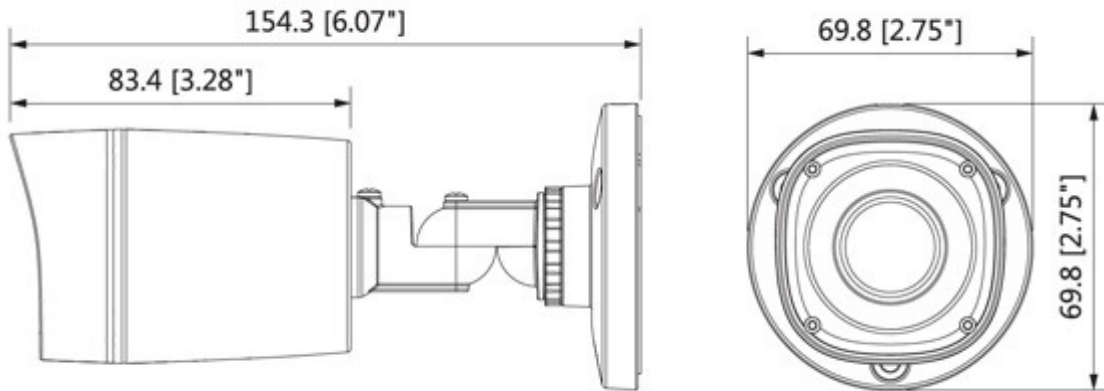


Feature	Specification
Power Source	12V DC \pm 30%
Power Consumption	Max 3.3W (12V DC, IR on)
Weatherproof Standard	IP67
Casing	Plastic
Dimension	154.3mm \times 69.8mm \times 69.8mm (6.07" \times 2.75" \times 2.75")
Weight	0.15kg

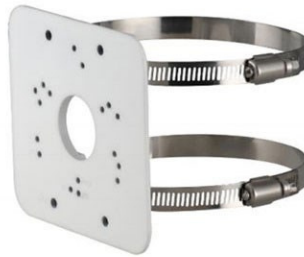
Auth. Project Partner :



Dimensions (mm/inch)



Accessories : Optional



Auth. Project Partner :

CP-UA-B2P
Pole Mount



Solutions Design | Supply | Installations | AMC | Services

TECHNOHEAD Security IT & Telecom Projects LLP

Address :- 706 Siddharth Building 96, Nehru Place, New Delhi – 110019, India

Mobile :- +91 8527590286, 9312286189

Email :- info@technohead.in Website : www.technohead.in