

DH-IPC-HFW1230S1-A-S4

2 MP Entry IR Fixed-focal Bullet Network Camera



Series Overview

With features of simple installation, easy operation, and high performance-cost ratio, Dahua Entry series network camera is applicable to small and medium-sized scenes, such as homes/residences, small-sized retail stores, and other small and medium-sized enterprises.

Functions

Smart H.265+ & Smart H.264+

With advanced scene-adaptive rate control algorithm, Dahua smart encoding technology realizes the higher encoding efficiency than H.265 and H.264, provides high-quality video, and reduces the cost of storage and transmission.

Smart Illumination

Dahua Smart Illumination technology can display image in the environment of low illuminance or completely dark environment. According to the distance of the targets, the camera adjusts illuminations intensity automatically to display the details of the moving target.

Motion Detection

When moving objects appear in the monitoring image, Dahua Motion Detection technology triggers alarm or records.

Cyber Security

Dahua network cameras employ a series of security technologies, including security authentication and authorization, access control protocols, trusted protection, encrypted transmission and encrypted storage. These technologies improve the camera's defense against external cyber threats and prevent malicious programs from compromising the device.

- 2-MP 1/2.8" CMOS image sensor, low luminance, and high definition image.
- Outputs max. 2 MP (1920 × 1080)@25/30 fps.
- H.265 codec, high compression rate, ultra-low bit rate.
- Built-in IR LED, and the max. illumination distance is 30 m.
- ROI, SMART H.264+/H.265+, flexible coding, applicable to various bandwidth and storage environments.
- Rotation mode, DWDR, 3D NR, HLC, BLC, digital watermarking, applicable to various monitoring scenes.
- Abnormality detection: Motion detection, video tampering, network disconnection, IP conflict, audio detection and illegal access.
- Built-in MIC.
- 12 VDC/PoE power supply.
- IP67 protection.



Protection (IP67, Wide Voltage)

IP67: The camera passes a series of strict test on dust and soak. It has dust-proof function, and the enclosure can work normally after soaking in 1 m deep water for 30 minutes.

Wide voltage: The camera allows $\pm 30\%$ (for some power supplies) input voltage tolerance (wide voltage range), and it is widely applied to outdoor environment with instable voltage.

Auth. Project Partner :



Technical Specification

Camera

| | |
|----------------------------|---|
| Image Sensor | 1/2.8" CMOS |
| Max. Resolution | 1920 (H) × 1080 (V) |
| ROM | 16 MB |
| RAM | 64 MB |
| Scanning System | Progressive |
| Electronic Shutter Speed | Auto/Manual 1/3 s–1/100,000 s |
| Min. Illumination | 0.01 lux@F2.0 (Color, 30 IRE) 0.001 lux@F2.0 (B/W, 30 IRE) 0 lux (Illuminator on) |
| S/N Ratio | > 56 dB |
| Illumination Distance | 30 m (98.43 ft) (IR) |
| Illuminator On/Off Control | Auto; manual |
| Illuminator Number | 1 (IR LED) |
| Pan/Tilt/Rotation Range | Pan: 0°–360° Tilt: 0°–90° Rotation: 0°–360° |

Lens

| | | | |
|----------------------|---|--|--|
| Lens Type | Fixed-focal | | |
| Lens Mount | M12 | | |
| Focal Length | 2.8 mm; 3.6 mm | | |
| Max. Aperture | 2.8 mm: F2.0 3.6 mm: F2.0 | | |
| Field of View | 2.8 mm: Horizontal: H: 102°; V: 54°; D: 120° 3.6 mm: Horizontal: H: 88°; V: 47°; D: 104° | | |
| Iris Control | Fixed | | |
| Close Focus Distance | 2.8 mm: 0.5 m (1.64 ft) 3.6 mm: 0.8 m (2.62 ft) | | |
| Lens | Detect Observe Recognize | | |
| DORI Distance | 2.8 mm | 38.6 m 15.4 m 7.7 m (126.64 ft) (50.52 ft) (25.26 ft) | Identify |
| | 3.6 mm | 49.7 m 19.9 m 9.9 m (163.06 ft) (65.29 ft) (32.48 ft) | 3.9 m (12.80 ft) 5.0 m (16.40 ft) |

Video

| | |
|-------------------|--|
| Video Compression | H.265; H.264; H.264H; H.264B; MJPEG (Only supported by the sub stream) |
| Smart Codec | Smart H.265+; Smart H.264+ |
| Video Frame Rate | Main stream: 1920 × 1080@1–25/30 fps Sub stream: 704 × 576@1–25 fps 704 × 480@1–30 fps *The values above are the max. frame rates of each stream; for multiple streams, the values will be subjected to the total encoding capacity. 2 streams |
| Stream Capability | 1080p (1920 × 1080); 1.3M (1280 × 960); 720p (1280 × 720); D1 (704 × 576/704 × 480); VGA (640 × 480); CIF (352 × 288/352 × 240) |
| Resolution | CBR/VBR |
| Bit Rate Control | |

| | |
|--------------------------|---|
| Video Bit Rate | H.264: 32 kbps–6144 kbps H.265: 12 kbps–6144 kbps |
| Day/Night | Auto (ICR)/Color/B/W |
| BLC | Yes |
| HLC | Yes |
| WDR | DWDR |
| White Balance | Auto; natural; street lamp; outdoor; manual; regional custom |
| Gain Control | Auto; manual |
| Noise Reduction | 3D NR |
| Motion Detection | OFF/ON (4 areas, rectangular) |
| Region of Interest (RoI) | Yes (4 areas) |
| Smart Illumination | Yes |
| Image Rotation | 0°/90°/180°/270° (Support 90°/270° with 1080p resolution and lower) |
| Mirror | Yes |
| Privacy Masking | 4 areas |

Audio

| | |
|-------------------|------------------------|
| Built-in MIC | Yes |
| Audio Compression | G.711A; G.711Mu; G.726 |

Alarm

| | |
|-------------|--|
| Alarm Event | Network disconnection; IP conflict; illegal access; motion detection; video tampering; audio detection; security exception |
|-------------|--|

Network

| | |
|---------------------|---|
| Network Port | RJ-45 (10/100 Base-T) |
| SDK and API | Yes |
| Cyber Security | Configuration encryption; Trusted execution; Digest; Security logs; Trusted upgrade; WSSE; Trusted boot; Account lockout; Generation and importing of X.509 certification; Video encryption |
| Network Protocol | IPv4; IPv6; HTTP; TCP; UDP; ARP; RTP; RTSP; RTCP; SMTP; FTP; DHCP; DNS; DDNS; NTP; Multicast; ICMP; IGMP |
| Interoperability | ONVIF (Profile S); CGI; P2P; Genetec |
| User/Host | 6 (Total bandwidth: 36 M) |
| Storage | FTP |
| Browser | IE Chrome Firefox |
| Management Software | Smart PSS; DSS; DMSS |
| Mobile Client | iOS; Android |

Certification

| | |
|----------------|--|
| Certifications | CE-LVD: EN 62368-1 CE-EMC: Electromagnetic Compatibility Directive 2014/30/EU FCC: 47 CFR FCC Part 15, Subpart B |
|----------------|--|

Power

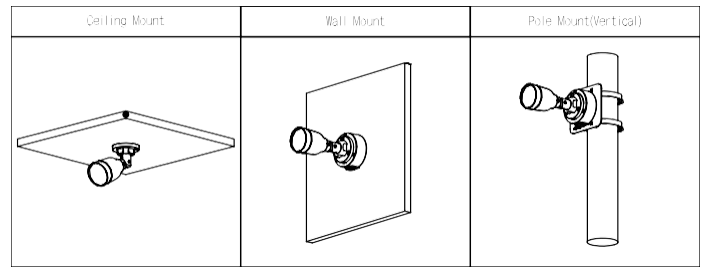
| | |
|--------------|----------------------|
| Power Supply | 12 VDC/PoE (802.3af) |
|--------------|----------------------|

Entry Series | DH-IPC-HFW1230S1-A-S4

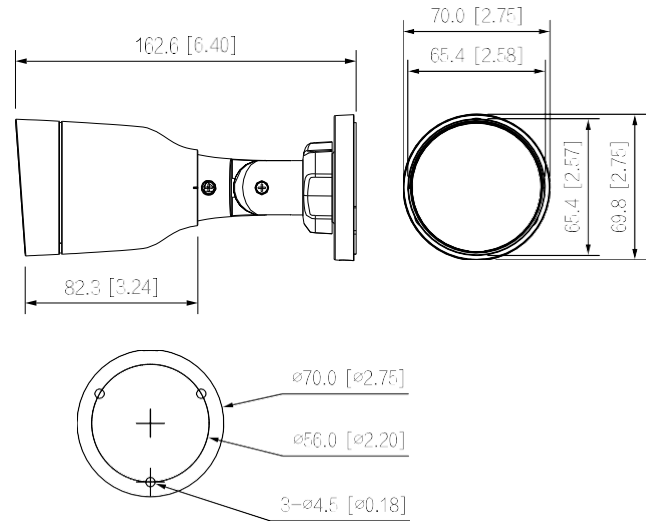
| | |
|-----------------------|--|
| Power Consumption | Basic: 1.2 W (12 VDC); 2 W (PoE) Max. (ICR + H.265 + IR intensity): 3.2 W (12 VDC); 4.1 W (PoE) |
| Environment | |
| Operating Temperature | -40 °C to +60 °C (-40 °F to +140) |
| Operating Humidity | °F) ≤ 95% |
| Storage Temperature | -40 °C to +60 °C (-40 °F to +140) |
| Protection | °F) IP67 |

| | |
|--------------------|---|
| Structure | |
| Casing | Metal + plastic |
| Product Dimensions | 162.6 mm × 70 mm × 70 mm (6.4" × 2.8" × 2.8") (L × W × H) |
| Net Weight | 0.22 kg (0.5 lb) |
| Gross Weight | 0.34 kg (0.7 lb) |

| Ordering Information | | |
|------------------------|-----------------------|---|
| Type | Model | Description |
| IP CAMERA | DH-IPC-HFW1230S1-A-S4 | 2 MP Entry IR Fixed-focal Bullet Network Camera |
| Accessories (optional) | PFA134 | Junction Box |
| | PFA152-E | Pole Mount Bracket |
| | PFM321D | 12 VDC 1A Power Adapter |
| | PFM900-E | Integrated Mount Tester |



Dimensions (mm[inch])



Accessories

Optional:



PFA134
Junction Box



PFA152-E
Pole Mount Bracket



PFM321D
12 VDC 1A Power
Adapter



PFM900-E
Integrated Mount
Tester

Auth. Project Partner :



Solutions Design | Supply | Installations | AMC | Services

TECHNOHEAD Security IT & Telecom Projects LLP

Address :- 706 Siddharth Building 96, Nehru Place, New Delhi – 110019, India

Mobile :- +91 8527590286, 9312286189

Email :- info@technohead.in Website : www.technohead.in