

DH-HAC-T1A21

2MP HDCVI Fixed-focal Eyeball Camera



- Max. 30 fps@1080p.
- Smart IR Illumination.
- 20 m illumination distance.
- 3.6 mm fixed lens (2.8 mm, 6 mm optional).
- CVI/CVBS/AHD/TVI switchable.
- 12 VDC.



Series Overview

The Cooper Series offers simple and highly cost-effective HDCVI solutions. It provides 24/7 reliable monitoring with high-quality image performance, saving cost on both material and labor force. It is also designed and built to the specific standards of Dahua.

Functions

Smart IR Illumination

With its IR illumination, the camera provides optimal performance in low light conditions, ensuring uniformity in the brightness of B/W images. Through its smart IR technology, the camera also compensates for the distance of targets by adjusting the intensity of its IR LEDs, preventing overexposure of images as targets move closer to the camera.

4 Signals over 1 Coaxial Cable

HDCVI technology supports 4 signals (video, audio*, data and power) which are simultaneously transmitted over a coaxial cable. Dual-way data transmission allows the HDCVI camera to interact with the XVR to perform various actions such as sending control signals and triggering alarms. HDCVI technology also supports PoC, which makes the camera easy and quick to install.

* Audio input is available for select HDCVI camera models.

Long Distance Transmission

HDCVI technology provides long distance transmission in real time without transmission loss. It supports transmission distances up to 700 m for 2-MP/5-MP/8-MP HD videos through coaxial cables, and up to 300 m through UTP cables. The results were obtained and verified through rigorous testing in Dahua's test laboratory.

Simplicity

HDCVI technology inherits the simplicity of traditional analog surveillance systems, making it a great mechanism for protecting your valuables. HDCVI can be upgraded from the traditional analog system without replacing the existing coaxial cabling. Its plug and play design enables it to produce high-definition videos during surveillance without the hassle of configuring a network.

Auth. Project Partner :



Technical

Specification Camera

| | |
|----------------------------|---|
| Image Sensor | 2 MP CMOS |
| Max. Resolution | 1920 (H) × 1080 (V) |
| Scanning System | Progressive |
| Electronic Shutter Speed | PAL: 1/25 s–1/100000 s NTSC: 1/30 s–1/100000 s |
| Min. Illumination | 0.02 lux@F2.0 (Color, 30 IRE) 0.002 lux@F2.0 (B/W, 30 IRE) 0 lux (Illuminator on) |
| S/N Ratio | >65 dB |
| Illumination Distance | 20 m (65.62 ft) |
| Illuminator On/Off Control | Auto |
| Illuminator Number | 1 (IR light) |
| Angle Adjustment | Pan: 0°–360° Tilt: 0°–78° Rotation: 0°–360° |

Lens

| | | | | | |
|----------------------|--|------------------------|-----------------------|----------------------|----------------------|
| Lens Type | Fixed-focal | | | | |
| Lens Mount | M12 | | | | |
| Focal Length | 2.8 mm; 3.6 mm; 6 mm | | | | |
| Max. Aperture | F2.0 | | | | |
| Field of View | 2.8 mm: H: 100°; V: 54°; D: 117° 3.6 mm: H: 80°; V: 43°; D: 94° 6 mm: H: 43°; V: 24°; D: 50° | | | | |
| Iris Control | Fixed | | | | |
| Close Focus Distance | 2.8 mm: 0.5 m (1.64 ft) 3.6 mm: 0.8 m (2.62 ft) 6 mm: 2.8 m (9.19 ft) | | | | |
| DORI Distance | Lens | Detect | Observe | Recognize | Identify |
| | 2.8 mm | 44.7 m (146.65 ft) | 17.9 m (58.73 ft) | 8.9 m (29.20 ft) | 4.5 m (14.76 ft) |
| | 3.6 mm | 55.0 m (180.45 ft) | 22.0 m (72.18 ft) | 11.0 m (36.09 ft) | 5.5 m (18.04 ft) |
| | 6 mm | 102.9 m (337.60 ft) | 41.1 m (134.84 ft) | 20.6 m (67.59 ft) | 10.3 m (33.79 ft) |

Video

| | |
|------------------|--|
| Video Frame Rate | CVI: PAL: 1080p@25 fps NTSC: 1080p@30 fps AHD: PAL: 1080p@25 fps NTSC: 1080p@30 fps TVI: PAL: 1080p@25 fps NTSC: 1080p@30 fps CVBS: PAL: 960H; NTSC: 960H |
| Resolution | 1080p (1920 × 1080); 960H (960 × 576/960 × 480) |
| n | Auto(ICR)/Color/B/W |
| Day/Night | BLC; DWDR |

BLC

| | |
|-------------------|----------|
| WDR | DWDR |
| White Balance | Auto |
| Gain Control | Auto |
| Noise Reduction | 2D NR |
| Illumination Mode | Smart IR |

Certification

| | |
|----------------|--|
| Certifications | CE-LVD: EN 62368-1; CE-EMC: EN 55032; EN 55035; FCC: 47 CFR FCC Part 15, Subpart B |
|----------------|--|

Port

| | |
|--------------|--|
| Video Output | Video output choices of CVI/TVI/AHD/CVBS by one BNC port |
|--------------|--|

Power

| | |
|-------------------|---------------------------|
| Power Supply | 12 VDC ± 30% |
| Power Consumption | Max 2.3 W (12 VDC, IR on) |

Environment

| | |
|-----------------------|--------------------------------------|
| Operating Temperature | –40 °C to +60 °C (–40 °F to +140 °F) |
| Operating Humidity | °F) <95% (RH), non-condensing |
| Storage Temperature | –40 °C to +60 °C (–40 °F to +140 °F) |
| Storage Humidity | °F) <95% (RH), non-condensing |
| Anti-corrosion Level | Basic Protection |

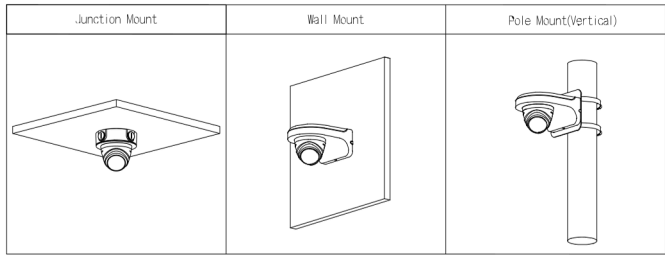
Structure

| | |
|--------------------|--|
| Casing Material | Plastic |
| Product Dimensions | Φ85.4 mm × 68.8 mm (Φ3.36" × 2.71") |
| Net Weight | 0.09 kg (0.20 lb) |
| Gross Weight | 0.13 kg (0.29 lb) |
| Installation | Wall mount; ceiling mount; vertical pole mount |

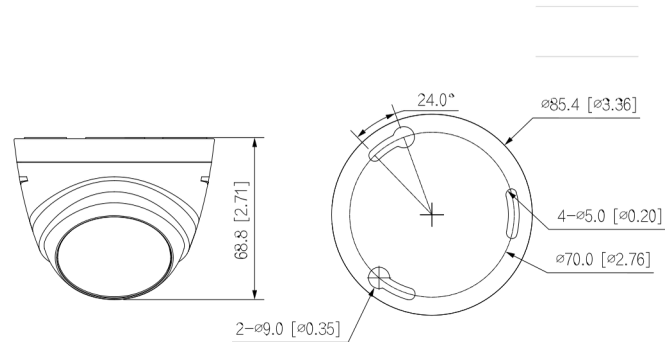
Auth. Project Partner :



| Ordering Information | | |
|------------------------|---------------|--|
| Type | Model | Description |
| 2MP Camera | DH-HAC-T1A21P | 2MP HDCVI Fixed-focal Eyeball Camera, PAL |
| | DH-HAC-T1A21N | 2MP HDCVI Fixed-focal Eyeball Camera, NTSC |
| Accessories (Optional) | PFA135 | Junction Box |
| | PFA 1 52- E | Pole Mount Bracket |
| | PFB205W-E | Wall Mount Bracket |
| | PFA 10 6 | Mount Adapter |
| | PFB220C | Ceiling Mount Bracket |
| | PFM321D | 12V 1A Power Adapter |
| | PFM800-E | 1 Channel Passive HDCVI Balun |
| | PFM904 | Integrated Mount Tester |

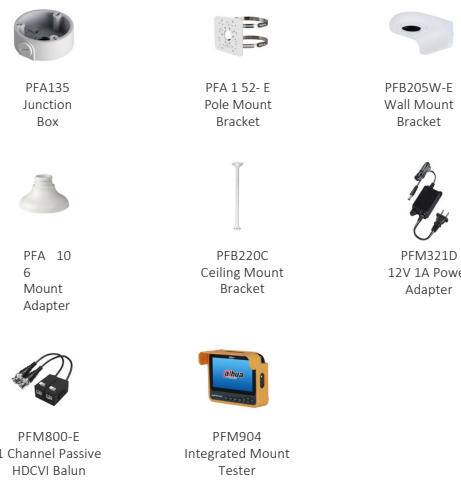


Dimensions (mm[inch])



Accessories

Optional:



Auth. Project Partner :



Solutions Design | Supply | Installations | AMC | Services

TECHNOHEAD Security IT & Telecom Projects LLP

Address :- 706 Siddharth Building 96, Nehru Place, New Delhi – 110019, India

Mobile :- +91 8527590286, 9312286189

Email :- info@technohead.in Website : www.technohead.in