

iDS-TCM203-A High Performance ANPR Bullet Camera



DarkFighter

DeepinView



- 1/1.8" progressive scan CMOS
- 50 Hz: 1920 × 1080 @ 50 fps
- 60 Hz: 1920 × 1080 @ 60 fps
- Color: 0.001 Lux @ (F1.2, AGC ON)
- H.265, H.264, MJPEG
- 120 dB WDR
- 3D DNR
- Alarm I/O
- 1 RS-485 interface
- Two defined streams
- Built-in microSD/TF card, up to 128 GB
- License plate recognition
- IP67, IK10

Auth. Project Partner :



Superiority

- Dedicated camera for ANPR
 - HD resolution
 - Professional shutter speed control

Application

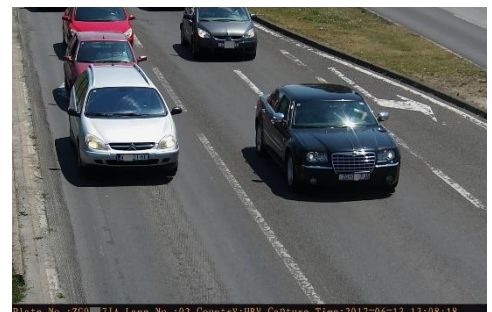
- Built-in ANPR engine, equipped with AI algorithm
- Vehicle control
- Traffic monitoring
- Toll collection
- Security

Scenarios

- Tunnel
- Toll station
- Urban road
- Parking entrance

Smart Function

- Support vehicle type classification
- Support vehicle color identification
- Support no-plate vehicle capture
- Support driving direction detection
- Support motorcycle capture



Auth. Project Partner :



Specifications

Camera iDS-TCM203-A/0832 iDS-TCM203-A/5313	
Image Sensor 1/1.8" progressive scan CMOS	
Min. Illumination Color: 0.001 Lux @ (F1.2, AGC ON)	
Shutter Speed 1/50 s to 1/100,000 s	
Slow Shutter Supported	
Digital Noise Reduction 3D DNR	
WDR 120 dB	
Lens	
Focal Length 8-32 mm 5.3-13 mm	
Aperture F1.6-1.65	
Focus Auto	
Auto-iris DC drive	
Horizontal FOV: 39.7° to 15.9°; Horizontal FOV: 114.7° to 41.9°; FOV Vertical FOV: 22.3° to 9.1°; Vertical FOV: 59.4° to 23.6°; Diagonal FOV: 45.8° to 18.1° Diagonal FOV: 141.5° to 48.1°	
Compression Standard	
Main stream: H.265/H.264/MJPEG	
Video Compression Sub-stream: H.265/H.264/MJPEG	
H.264 Type Baseline profile/Main profile/High profile	
H.265 Type Baseline profile/Main profile/High profile	
Video Bit Rate 32 Kbps to 16 Mbps	
Audio Compression G.711/G.722.1	
Audio Bit Rate 8 Kbps (G.711) /16 Kbps (G.722.1)	
Smart Feature	
Recognition License plate recognition	
Smart Function driving direction detection	Vehicle type classification, color identification, no-plate vehicle capture, vehicle
Road Traffic and Vehicle Detection	

Auth. Project Partner :



Countries/Regions	<p>Middle East: The United Arab Emirates (Abu Dhabi, Ajman, Dubai, Fujairah, Ras Al Khaimah, Sharjah and Umm Al Quwain), Qatar, Iran, Iraq, Egypt, Jordan, Kuwait, Saudi Arabia, Pakistan, Oman, Lebanon, Bahrain</p> <p>Africa: Nigeria, Kenya, Ivory Coast, South Africa, Tanzania, Mauritius, Morocco, Tunisia, Sierra Leone, Zambia, Ghana, Zimbabwe, Uganda, Angola, Ethiopia, Senegal, Algeria</p> <p>Asia-Pacific: Australia, New Zealand, Indonesia, Malaysia, Singapore, South Korea, Thailand, Vietnam, the Philippines, Hong Kong, Macao, Taiwan, Burma, India, Mongolia, Cambodia, Laos, Bangladesh</p> <p>America: The United States of America, Canada, Argentina, Chile, Paraguay, Uruguay, El Salvador, Bolivia, Colombia, Brazil, Ecuador, Peru, Mexico, Panama, Costa Rica, Trinidad and Tobago, the Dominican Republic, Guatemala</p> <p>Europe: Turkey, Croatia, Slovakia, Czech Republic, Bulgaria, the Republic of North Macedonia, Hungary, Greece, Poland, France, Netherlands, Switzerland, Spain, the UK, Ireland, Germany, Italy, Austria, Israel, Palestinian State, Belgium, Luxembourg, Albania, Kosovo</p> <p>Russian-Speaking Regions: Azerbaijan, Belarus, Kazakhstan, Lithuania, Georgia, Estonia, Latvia, Russia, Ukraine, Moldova, Uzbekistan, Kyrgyzstan, Armenia</p> <p>Capture rate > 98%</p>
Accuracy (Under recommended installation and lighting conditions)	<p>Driving direction recognition accuracy > 98.5%</p> <p>LPR accuracy > 98%</p> <p>Mistaken capture rate < 2%</p> <p>European and Russian-Speaking Regions:</p> <p>LPR accuracy > 98%</p> <p>Country/Region recognition accuracy > 95%</p> <p>Supported</p>
No License Plate Detection	Supported
Motorcycle LPR	Car/Van/Bus/Truck/Others
Vehicle Type	Red, yellow (including orange), green, blue, purple, brown, white, grey (including silver), black
Vehicle Color	65 manufacturers: HYUNDAI, TOYOTA, KIA, HONDA, VOLKSWAGEN, BENZ, NISSAN, FORD, ISUZU, BMW, CHEVROLET, MITSUBISHI, RENAULT, OPEL, SUZUKI, SKODA, DAEWOO, AUDI, MAZDA, HINO, PEUGEOT, SSANG YONG, CITROEN, FIAT, SCANIA, MAN, VOLVO, LEXUS, SEAT, LAND ROVER, DAIHATSU, UD TRUCKS, SUBARU, IVECO, MINI, JEEP, PORSCHE, CHERY, DODGE, CHRYSLER, ACURA, ALFA ROMEO, GREAT WALL, INFINITY, SMART, SAIC MAXUS, JAC, JAGUAR, JMC, LINCOLN, JMC, SAAB, FAW, YUTONG, LWE, JOYLONG, GEELY, CADILLAC, JINBEI, ANKAI, HAIMA, FOTON, KING LONG, DONGFENG, EMGRAND
Vehicle Manufacturer	5 to 120 km/h
Capture Speed Range	
Image	1920 × 1080
Max. Resolution	50 Hz: 50 fps (1920 × 1080) 60 Hz: 60 fps (1920 × 1080)
Main Stream Sub-	50 Hz: 50 fps (1280 × 720, 704 × 576, 352 × 288) 60 Hz: 60 fps (1280 × 720, 704 × 480, 640 × 480)
Stream	BLC, HLC, 3D DNR
Image Enhancement	

Auth. Project Partner :



Image Settings	Rotation mode, saturation, brightness, contrast, sharpness, AGC, and white balance are adjustable via client software or web browser.
Video Compression	H.264 and H.265 encoding
Day/Night Switch	Auto/Scheduled/Triggered by alarm in
Picture Overlay	Logo picture can be overlaid on video with 128 × 128 in 24-bit bmp format
Network	
Network Storage	microSD/TF card (128 GB), local storage and CVR, NVR, ANR
Alarm Trigger	HDD Error, network disconnected, IP address conflicted, vehicle detector exception, traffic light detector exception
Protocols	TCP/IP, HTTP, HTTPS, FTP, DNS, RTP, RTSP, RTCP, NTP, IPv6, UDP
Security Measures	Password protection, HTTPS encryption, digest authentication for HTTP/HTTPS, digest authentication for ONVIF (Version 2.1)
General Function	One-key reset, two streams, heartbeat, password protection, watermark
API	ONVIF (Version 2.1, PROFILE S, PROFILE G), ISAPI, SDK
Simultaneous Live View	Up to 6 channels
User/Host	Up to 32 users 3 user levels: administrator, operator, and user
Client	iVMS-8600, HikCentral
Web Browser	IE7+
Interface	
Audio	Supported
Communication Interface	1 RJ45 10M/100M/1000M Ethernet interface 2 RS-485 interfaces 1 RS-232 port
Alarm	2 input interfaces, 2 output interfaces
Video Output	Network
On-Board Storage	Built-in microSD/TF card, up to 128 GB
Supplement Light	Built-in 3 LED strobe light
Reset Button	Supported
General	
Firmware Version	V4.2.2
Operating System	Linux
Certifications	CE, FCC, RoHS
Operating Conditions	Temperature: -30 °C to +70 °C (-22 °F to +158 °F) , Humidity: 95% or less (non-condensing)
Power Supply	12 VDC to 24 VDC ± 20%
Protection Level	IP67, IK10
Material	Aluminum alloy
Dimensions	With package: 428.5 × 120 × 132.8 mm
Weight	Camera: approx. 3.12 ± 0.5 kg (6.88 ± 1.1 lb)
Power Consumption	Max. 15 W

* Listed resolutions are only selectable options. It does not mean that all streams can work at their maximum resolution at the same time.

Auth. Project Partner :

Available Model

iDS-TCM203-A/0832

iDS-TCM203-A/5313

**Please decide whether to use anti-corrosion devices or matched hoops and brackets according to the actual working environment.*

Auth. Project Partner :



Application Scenario



Urban Road



Mixed Road

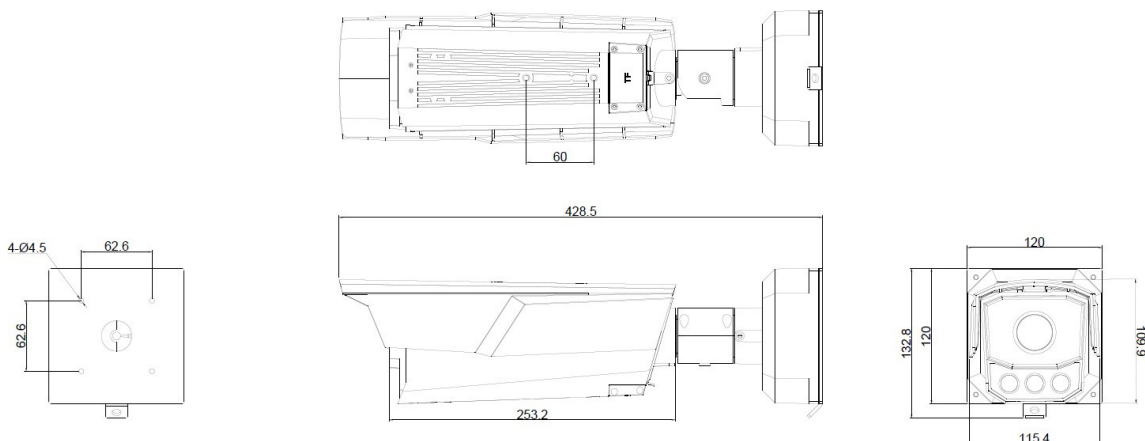


Entrance & Exit



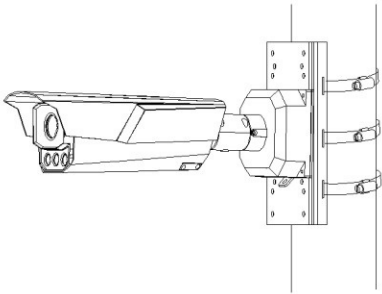
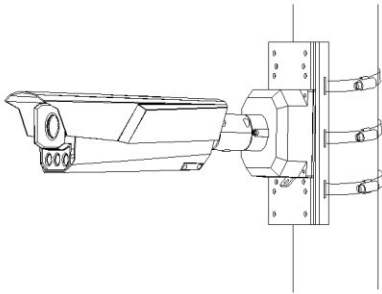
Highway Toll Station

Dimension



Unit: mm

Accessory

	
Hoop Bracket DS-1275ZJ-BJH/600 mm	Hoop Bracket DS-1275ZJ-BJH/140 mm

Auth. Project Partner :



Solutions Design | Supply | Installations | AMC | Services

TECHNOHEAD Security IT & Telecom Projects LLP

Address :- 706 Siddharth Building 96, Nehru Place, New Delhi – 110019, India

Mobile :- +91 8527590286, 9312286189

Email :- info@technohead.in **Website :** www.technohead.in



Headquarters

No.555 Qianmo Road, Binjiang District,
Hangzhou 310051, China
T +86-571-8807-5998
overseasbusiness@hikvision.com

Hikvision USA
T +1-909-895-0400
sales.usa@hikvision.com

Hikvision Australia
T +61-2-8599-4233
salesau@hikvision.com

Hikvision India
T +91-22-28469900
sales@pramahikvision.com

Hikvision Canada
T +1-866-200-6690
sales.canada@hikvision.com

Hikvision Thailand
T +662-275-9949
sales.thailand@hikvision.com

Hikvision Europe
T +31-23-5542770
sales.eu@hikvision.com

Hikvision Italy
T +39-0438-6902
info.it@hikvision.com

Hikvision Brazil
T +55 11 3318-0050
Latam.support@hikvision.com

Hikvision Turkey
T +90 (216)521 7070- 7074
sales.tr@hikvision.com

Hikvision Malaysia
T +601-7652-2413
sales.my@hikvision.com

Hikvision UK & Ireland
T +01628-902140
sales.uk@hikvision.com

Hikvision South Africa
Tel: +27 (10) 0351172
sale.africa@hikvision.com

Hikvision France
T +33(0)1-85-330-450
info.fr@hikvision.com

Hikvision Kazakhstan
T +7-727-9730667
nikia.panfilov@hikvision.ru

Hikvision Vietnam
T +84-974270888
sales.vt@hikvision.com

Hikvision UAE
T +971-4-4432090
salesme@hikvision.com

Hikvision Singapore
T +65-6684-4718
sg@hikvision.com

Hikvision Spain
T +34-91-737-16-55
info.es@hikvision.com

Hikvision Tashkent
T +99-87-1238-9438
uzb@hikvision.ru

Hikvision Hong Kong
T +852-2151-1761
info.hk@hikvision.com

Hikvision Russia
T +7-495-669-67-99
sateru@hikvision.com

Hikvision Korea
T +82-1031-731-8817
sales.korea@hikvision.com

Hikvision Poland
T +48-22-460-01-50
info.pl@hikvision.com

Hikvision Indonesia
T +62-21-2933759
Sales.Indonesia@hikvision.com

Hikvision Colombia
sales.colombia@hikvision.com