

## DS-2CE56H5T-ITZE 5 MP Ultra-Low Light VF PoC Dome Camera



### Key Features

- 5 MP high performance COMS
- Ultra-low light
- 2560 × 1944 resolution
- 2.8 mm to 12 mm motorized vari-focal lens
- EXIR 2.0, smart IR , up to 30 m IR distance
- OSD menu, DNR, DWDR
- IP65
- PoC.at
- Up the coax (HIKVISION-C)



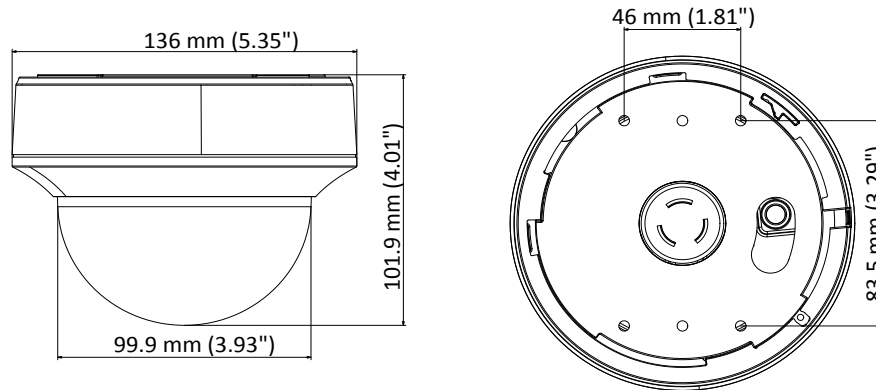
## Specification

<b>Camera</b>	
Image Sensor	5 MP CMOS image sensor
Effective Pixels	2560 (H) × 1944 (V)
Min. illumination	Color: 0.008 Lux @ (F1.2, AGC ON), 0 Lux with IR
Shutter Time	PAL: 1/25 s to 1/50, 000 s NTSC: 1/30 s to 1/50, 000 s
Lens	2.8 mm to 12 mm motorized vari-focal lens
Horizontal Field of View	102° to 31°
Lens Mount	Φ14
Day & Night	IR cut filter
Angle Adjustment	Pan: 0° to 355°; Tilt: 0° to 75°; Rotate: 0° to 355°
Synchronization	Internal synchronization
Frame Rate	2560 × 1944@20fps, 2560 × 1944@12.5fps 2560× 1440@30fps, 2560× 1440@25fps (default) 1920×1080@30fps, 1920×1080@25fps <i>* Under the PoC mode, 2560 × 1944@12.5fps is not available.</i>
<b>Menu</b>	
AGC	Support
D/N Mode	Auto/Color/BW (Black and White)
White Balance	ATW/MWB
BLC	Support
DWDR (Digital Wide Dynamic Range)	Support
Language	English, Chinese
Functions	Brightness, Sharpness, DNR, Mirror, Smart IR
<b>Interface</b>	
Video Output	1 HD analog output
<b>General</b>	
Operating Conditions	-40 °C to 60 °C (-40 °F to 140 °F), humidity: 90% or less (non-condensation)
Power Supply	12 V DC ±25%/PoC.at
Power Consumption	Max. 8 W
Protection Level	IP65
Material	Plastic
IR Range	Up to 30 m
Communication	Up the coax, Protocol: HIKVISION-C (TVI output)
Dimensions	Φ 136 mm × 101.9 mm (Φ 5.35" × 4.01")
Weight	Approx. 600 g (1.32 lb.)

## Order Models

DS-2CE56H5T-ITZE

## Dimension



## Accessory



**DS-1275ZJ**  
Vertical Pole Mounting Bracket



**DS-1273ZJ-130B**  
Wall Mounting Bracket



**DS-1271ZJ-130**  
Pendant Mounting Bracket



**DS-1276ZJ**  
Corner Mounting Bracket



**DS-1249ZJ**  
In-ceiling Mounting Bracket



**DS-1H18**  
Video Balun

Distributed by

Technohead Security IT & Telecom Projects LLP  
706, Siddhartha Building, 96, Nehru Place,  
New Delhi- 110019  
Ph.: +91-11-26422427, 26422592, Mob.: 9810183889  
E-mail.: technoheadprojects@gmail.com  
Website.: www.technohead.in



# HIKVISION®

### Headquarters

No.555 Qianmo Road, Binjiang District,  
Hangzhou 310051, China  
T +86-571-8807-5998  
overseasbusiness@hikvision.com

**Hikvision USA**  
T +1-909-895-0400  
sales.usa@hikvision.com

**Hikvision Europe**  
T +31-23-55-42-770  
info.eu@hikvision.com

**Hikvision Middle East**  
T +971-4-8816086  
salesme@hikvision.com

**Hikvision Russia**  
T +7-495-669-67-99  
saleru@hikvision.com

**Hikvision India**  
T +91-22-28469900  
sales@pramahikvision.com

**Hikvision Italy**  
T +39-0438-6902  
info.it@hikvision.com

**Hikvision France**  
T +33(0)1-85-330-450  
info.fr@hikvision.com

**Hikvision Spain**  
T +34-91-737-16-55  
info.es@hikvision.com

**Hikvision Poland**  
T +48-22-460-01-50  
poland@hikvision.com

**Hikvision UK**  
T +01628-902140  
support.uk@hikvision.com

**Hikvision Singapore**  
T +65-6684-4718  
sg@hikvision.com

**Hikvision Oceania**  
T +61-2-8599-4233  
salesau@hikvision.com

**Hikvision Canada**  
T +1-909-895-0400  
sales.usa@hikvision.com

**Hikvision Korea**  
T +82-31-731-8841  
sales.korea@hikvision.com

**Hikvision Brazil**  
T +55 11 3318-0050  
Latam.support@hikvision.com

**Hikvision Africa**  
T +27 (0) 0351172  
sale.africa@hikvision.com

**Hikvision Hong Kong**  
T +852-2151-1761